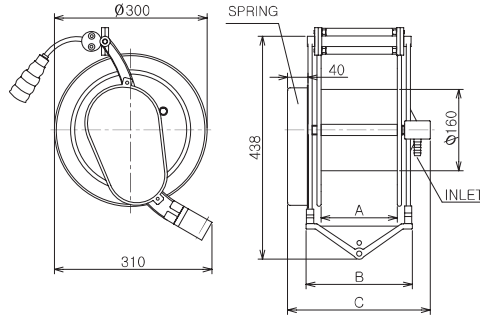


Air Hose Reel

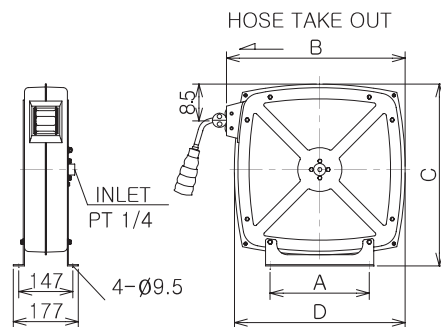
Air Hose Reel



S Type

- Use : Car service center, Industrial site, Laboratory
- Features : High elastic spring, Flexible hose, Easy installation
- Installation : Wall (Within 4M height, If installed over 4M, it could not rewind.)

Model	Material	Hose		W,P Max (kg/cm ²)	External Size			Weight (kg)
		I,D (mm)	L (M)		A	B	C	
RA-615S	PU	6,5	15	10	60	120	200	5,5
RA-620S	PU	6,5	20	10	60	120	200	6
RA-625S	PU	6,5	25	10	105	165	245	7,5
RA-630S	PU	6,5	30	10	105	165	245	7,8
RA-810S	PU	8	10	10	60	120	200	5,8
RA-815S	PU	8	15	10	60	120	200	6,8
RA-820S	PU	8	20	10	105	165	245	8
RA-825S	PU	8	25	10	150	200	280	8,9
RA-830S	PU	8	30	10	150	200	280	10
RA-1110S	PU	11	10	10	105	165	245	7,2
RA-1115S	PU	11	15	10	150	200	280	8,8
RA-1120S	PU	11	20	10	150	200	280	9,7
RA-810SF	Synthetic Rubber (PVC)	8	10	15	60	120	200	6,5
RA-815SF	Synthetic Rubber (PVC)	8	15	15	105	165	245	7
RA-820SF	Synthetic Rubber (PVC)	8	20	15	105	165	245	7,5



EAR Type

- Use : Construction site, Industrial site, Laboratory
- Features : Automatic rewind, Solid frame
- Installation : Movable

Model	Material	Hose		W,P Max (kg/cm ²)	External Size				Weight (kg)
		I,D (mm)	L (M)		A	B	C	D	
EAR-810	PU	8	10	10	190	426	435	405	12,7
EAR-815	PU	8	15	10	190	426	435	405	14,2
EAR-820	PU	8	20	10	190	426	435	405	17
EAR-825	PU	8	25	10	190	426	435	405	21
EAR-830	PU	8	30	10	190	426	435	405	23
EAR-1110	PU	11	10	10	190	426	435	405	16
EAR-1115	PU	11	15	10	190	426	435	405	20
EAR-1120	PU	11	20	10	190	426	435	405	23